

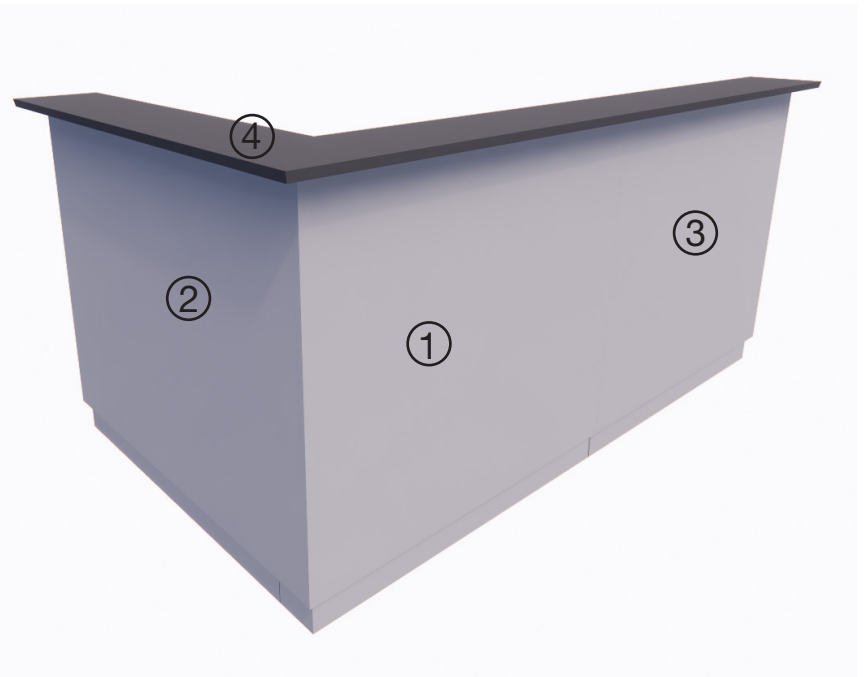
Modular information desk

a product by **Cube Design**

Phone no: + 45 86 98 74 11
Email: cube@cube-design.dk
Website: www.cube-design.dk/en
Version: 02-01-2024



Assembly manual for modular information desk



It is strongly recommended to be a two-man job, when assembling the information desk!

Modular desk parts list:

1. Front of the corner module
2. Side of the corner module
3. Possibly center module(s)/corner module
4. Top plate – several parts
5. 9 x dowels (8 x 30 mm)
6. 9 x plastic plugs per module
7. 6 x screws (4,5 x 30 mm) per modul
8. 5 x screws (4 x 35 mm) per modul

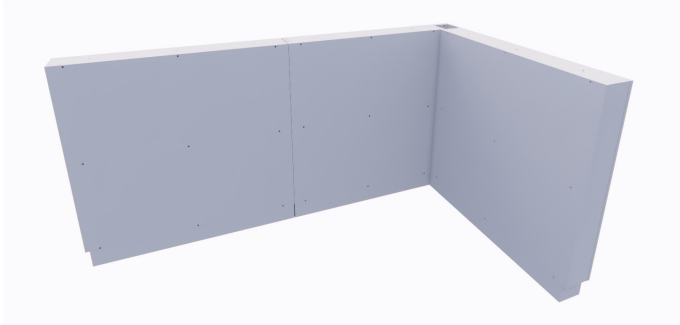


Cube Design A/S

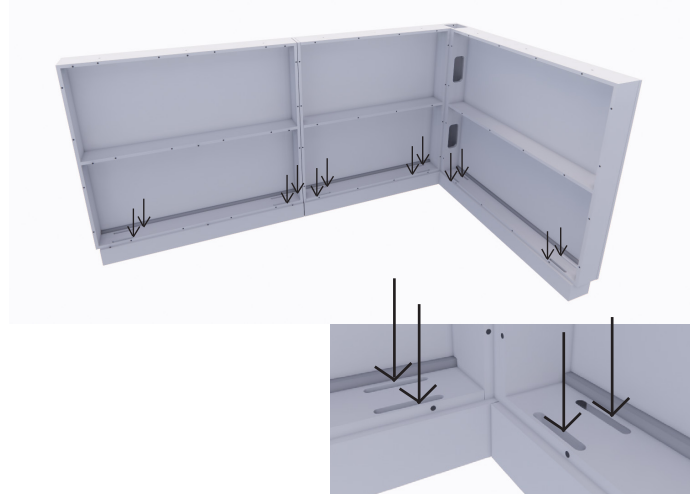
Vadstedvej 212 | DK-8450 Hammel | Phone no.: +45 86 98 74 11 | www.cube-design.dk/en | cube@cube-design.dk

Assembly manual for modular information desk

Step 1: Place the modules in the final location and unscrew the back plates of the modules. REMEMBER the right position of the back plates and save the screws for later use.



Step 2: Make the correct arrangement of the modules. Level the modules by using the adjustable levelling feet inside the modules base (oblong holes). Use a 5 mm umbraco.



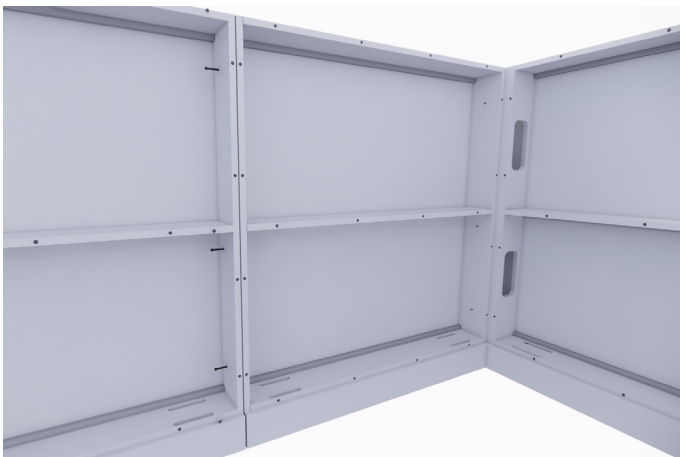
Step 3: Screw the corner together. Start with driving three screws (4.5 x 30 mm) into the side.



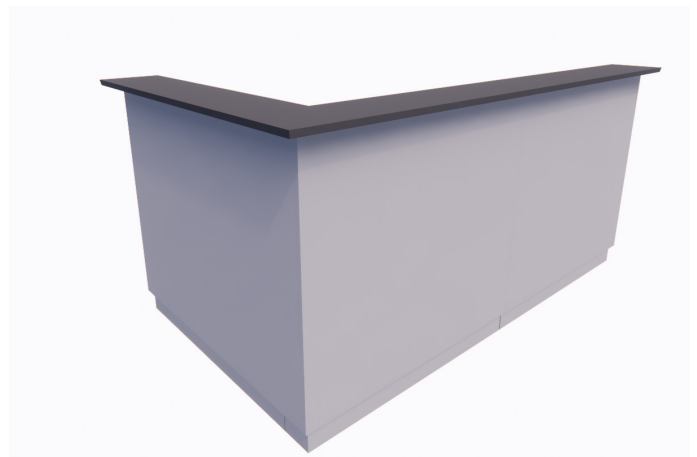
Step 3 continued: Attach the front plate using screws (4.5 x 30mm) through the holes.



Step 4: Now mount the rest of the modules with screws – back to back.

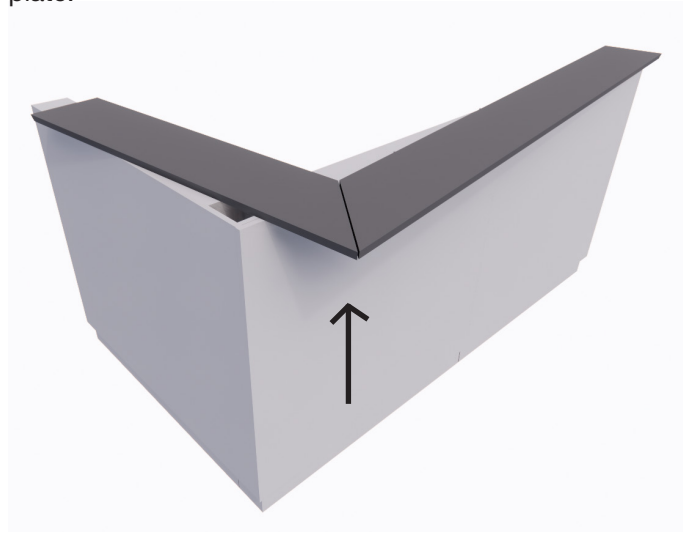


Step 5: Place the top plate loosely on top of the modules in the correct alignment.



Assembly manual for modular information desk

Step 6: For this step it is especially important to be two people! Now place the top plate slightly diagonally across the modules. Attach the bracket under the corner of the top plate. If you have an extra top plate corner then repeat step 6. NOTE: do not assemble the top plate on the floor – stones or unevenness will scratch the plate.



Step 7: Screw the top plate from the inside of the modules – 3 screws (4.5 x 30mm) per module.

NOTE: If you have a free-standing information desk, you must fix it to the wall or floor!

If you want to install power for e.g. lights/PC you can do it now. Drill holes through the horizontal inner plates.

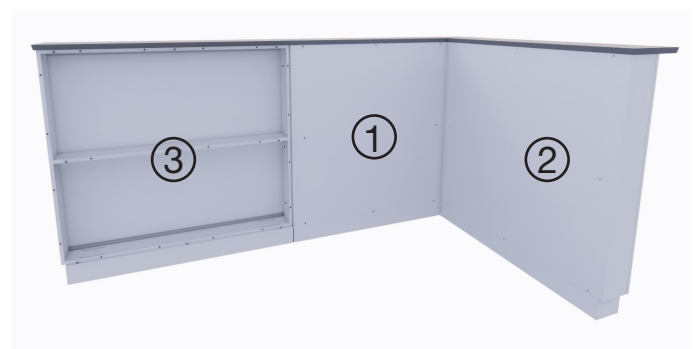


Step 8: Now the back plates must be installed. ATTENTION! The order is important!

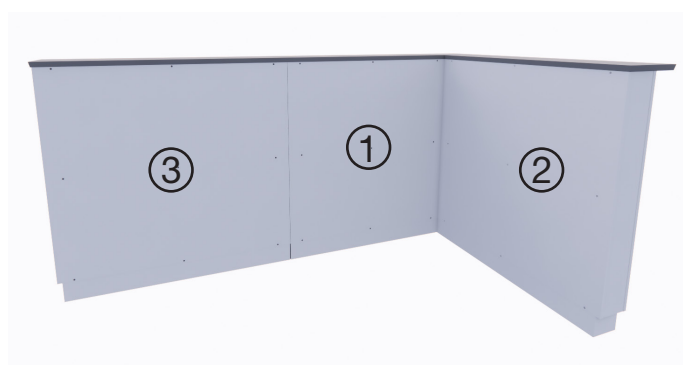
Place the back plate of the corner module front (1) by using dowels and screws (4 x 35 mm).



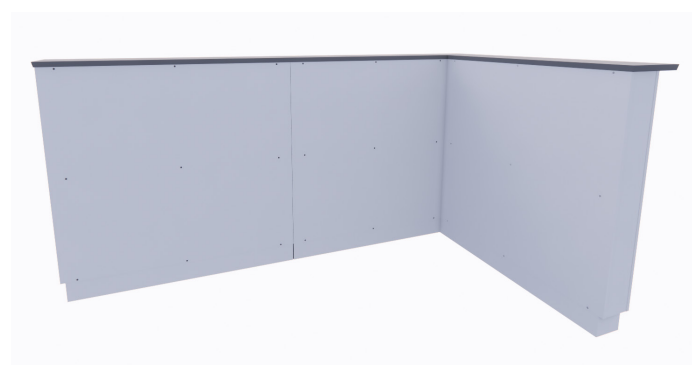
Step 9: Insert the loose dowels into the corner module side (2) and then insert the associated back plate by using dowels and screws (4 x 35 mm).



Step 10: Insert the remaining back plates using dowels and screws (4 x 35 mm).



Step 11: Finally, put the enclosed plastic plugs into the visible screw holes.



Enjoy your new information desk!



Cube Design A/S

Vadstedvej 212 | DK-8450 Hammel | Phone no.: +45 86 98 74 11 | www.cube-design.dk/en | cube@cube-design.dk