

# QUADRO - 5339/5340

**CUBE**  
DESIGN

Corner bookcase (90 degrees) in 16 mm plates.

Cube Design's Quadro storage has been tested at The Danish Technological Institute.

We grant a 10 years warranty on all storage from Cube Design.

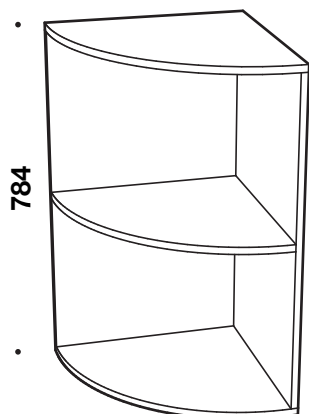


Cabinet available in:

- **Laminated plates with 2 mm ABS-edge:** white, light grey, medium grey, charcoal grey, anthracite, black or oak
- **Veneered plates with solid wooden edges:** maple, ash, beech, oak or walnut

Support:

- Plinth
- Legs



**5339** Depth 350 mm

**5340** Depth 430 mm