

# RAW ECO Sit-stand desk



a product by **Cube Design**

Phone no. +45 86 98 74 11  
E-mail: cube@cube-design.dk  
Website: www.cube-design.dk/en

Warranty: 5 years  
Use: Only for indoor use  
Test: EN527-1\_2

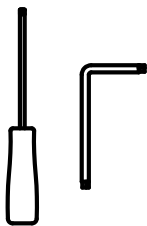
Product description: RAW is an electric sit-stand desk with a stroke of 650mm. Always including cable tray and two cable grommets.

NOTE: You can always contact Cube Design for spare parts for your RAW desk or other Cube products. No biocides or disinfectants have been used on this product.



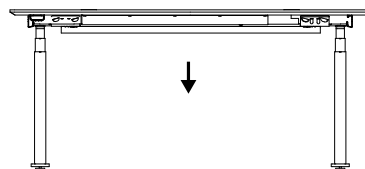
## Design for disassembly

0



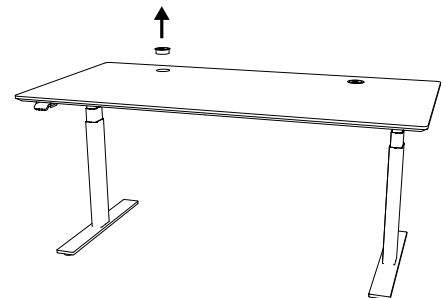
Tools for disassembly:  
1x Phillips screwdriver  
1x Allen key

1



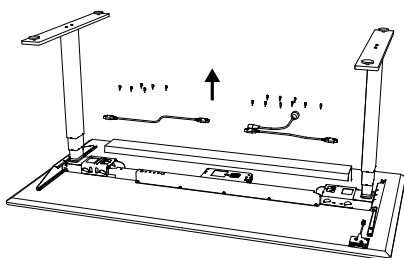
Set the table in the lowest position. Disconnect the power.

2



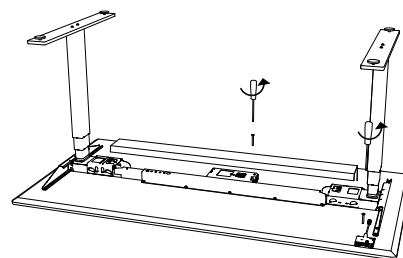
Remove both cable grommets from the table top. Unscrew the screw inside both cable grommets.

3



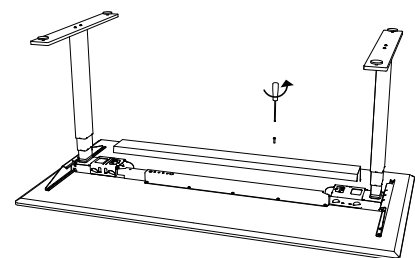
Turn the desk upside down. Remove all wires.

4

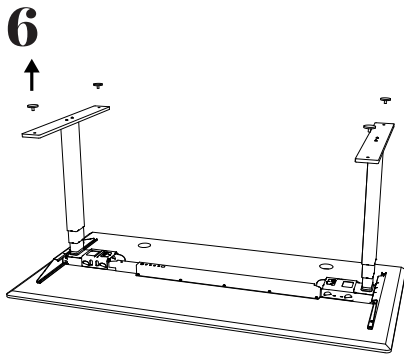


Unscrew the screws from the hand-set and the control box so they can be removed from the table.

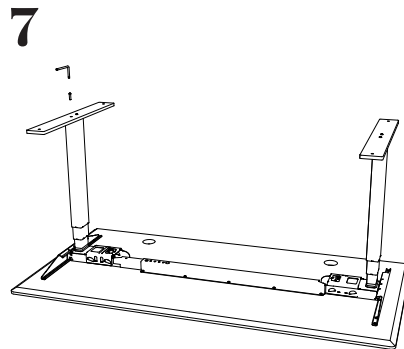
5



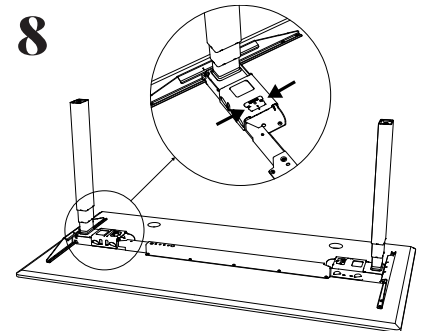
Use the Phillips screwdriver to unscrew the cable tray from the table top.



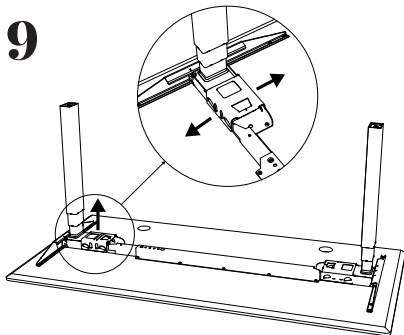
Unscrew the adjustable shoes.



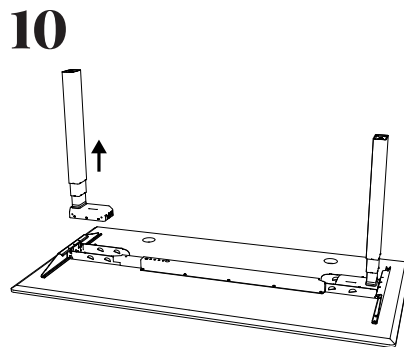
Use the Allen key to unscrew the bolts from the feet.



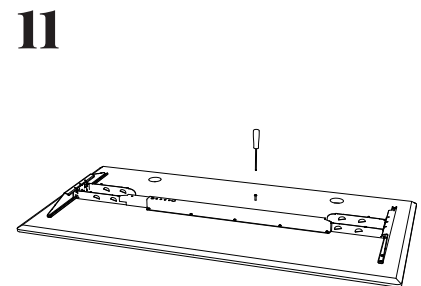
Press hard on both sides of the plastic lock to get it out of the hole.



Pull the metal shoe out and up to remove it from the frame.

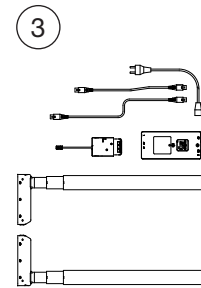
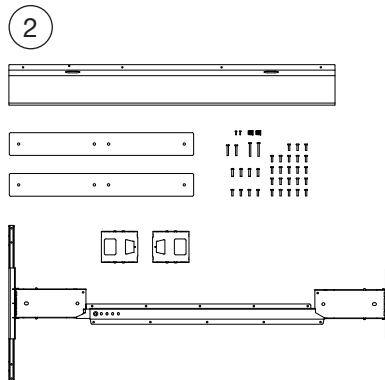
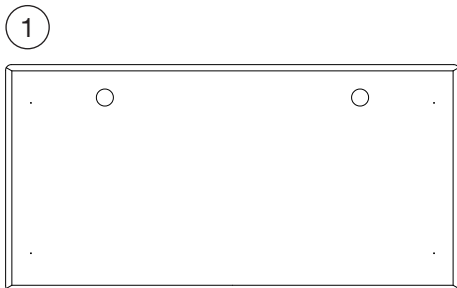


Lift the lifting columns up from the frame.



Use the Phillips screwdriver to unscrew all the screws from the table top to remove the frame.

## 12



Here are the parts you have after disassembly:

- 1 Wood
- 2 Metal
- 3 Electronics
- 4 Plastic
- 5 Metal and plastic

