

UP - Stomach and meeting arch, 10 different sizes

CUBE
DESIGN

Cube Design's UP desk with sit-stand function. Rectangular 3-stage columns and feet with adjustable shoes, L 700 mm. Table top in 23 mm MDF with bevelled edge and radius 20 on corners. UP is also delivered in rectangular and with whole arch and meeting arch. 5 years warranty on UP desks.



Table top available in:

- **Standard laminate (HPL):**
Opaque white, Montana grey, Platinum grey, Anthracite grey, Slate grey, Volcanic black or Lindberg oak
- **Veneer:** beech, ash, maple, oak, cherry or walnut
- **Linoleum**
- **Nordic Nature (HPL)**
- **Cube Color (HPL)**
- **Fenix laminate (nano)***
- **XP matt laminate**

7 x lacquer on veneered plates and 3 x lacquer on edges.

Frame (steel) available in:

- Black (powder coated)
- Alu (powder coated)
- White (powder coated)

Frame available with:

- Rectangular columns, 3-stage

Handset:

- Standard up/down
- Programmable*

Soft start/stop

Low noise motor

Rail free construction

Height adjustment 618-1268 mm

Lifts 60 kg per column

0,1 W in standby

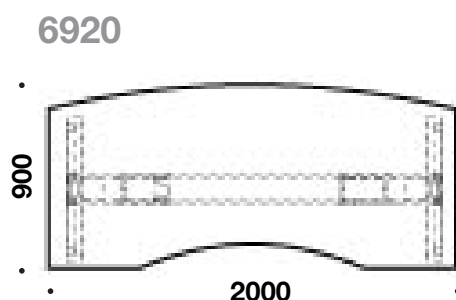
CE-marked

EN 527-1_2 certified

5 years warranty

Easy to assemble – the frame is unassembled in a compact box

* Note surcharge



6920, 6918,
6916, 6914,
6912

W: 900 mm

L: 2000, 1800, 1600, 1400 og
1200 mm

Stomach arch D 120 mm

6930, 6928,
6926, 6924,
6922

W: 1100 mm

L: 2000, 1800, 1600, 1400 og
1200 mm

Stomach arch D 150 mm