

Quadro Divider

Designed by Cube Design Team



CUBE
DESIGN

DO YOU NEED MORE

ROOM SEPARATION?

In an activity-based interior design it is important to create separate areas for different purposes – meeting areas, work areas, relaxation areas etc. to improve functionality and efficiency in the open environment. By partitioning larger rooms into smaller sections, you can give employees a more productive working environment and contribute positively to well-being, especially in the open office environments.

Create a room for more with our new multifunctional Quadro Divider that combines room separation, organization, and flexibility and gives you a multitude of options for individual solutions.

With the Quadro Divider, you can separate the room in a stylish way that provides shielding at the same time as the room remains light and open. The frames are made of steel, and the shelf pinholes in the frames create a flexible design with room for individual composition and personalization. That way you can furnish a more dynamic and functional workspace that meets your needs.





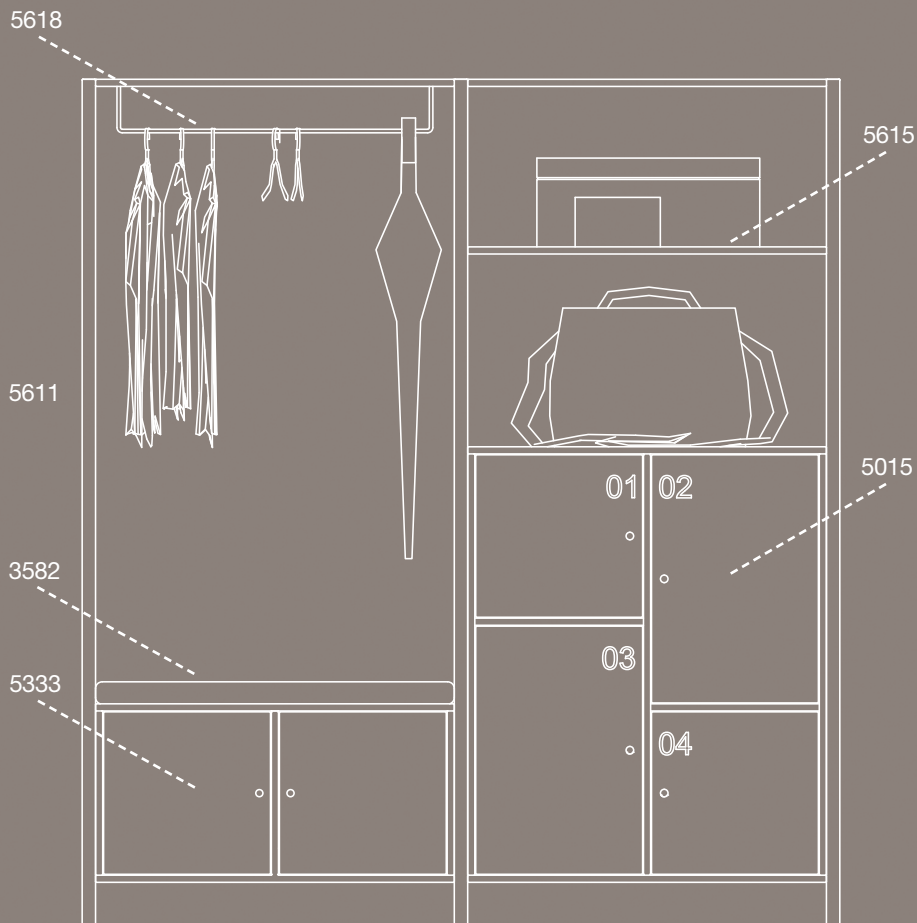


Make it your own

The Quadro Divider has a stylish and simple design that can fit into any decor. The frames are available in either white or black, while the storage furniture comes in a multitude of materials and colors, so you can put your own personal touch. What about bringing beautiful colors into your decor by choosing fronts in our popular Nordic Nature high-pressure laminates?

A flexible frame system

The frame system is designed to fit with a wide range of our standard Quadro storage furniture, giving you the freedom to assemble the Divider according to your needs. Do you need lockers, open shelves, or hanger bars in your Divider? It is entirely up to you!





Looking for a new
wardrobe solution?

